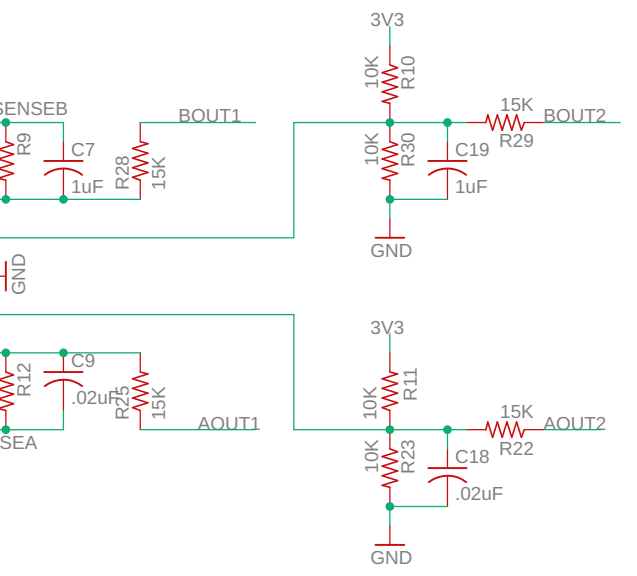
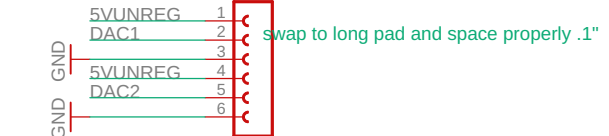
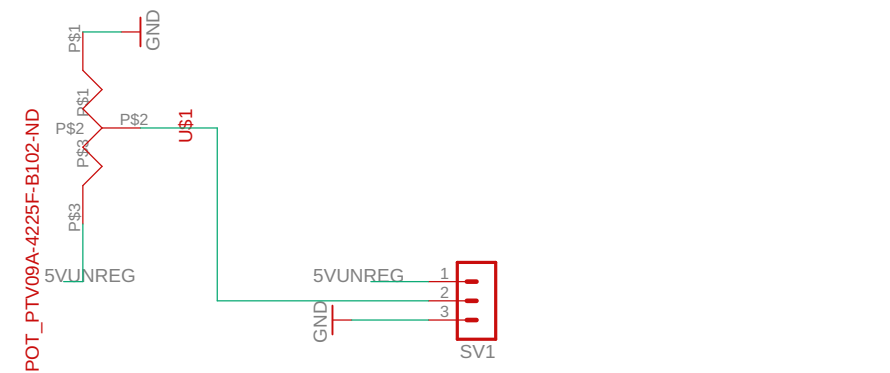
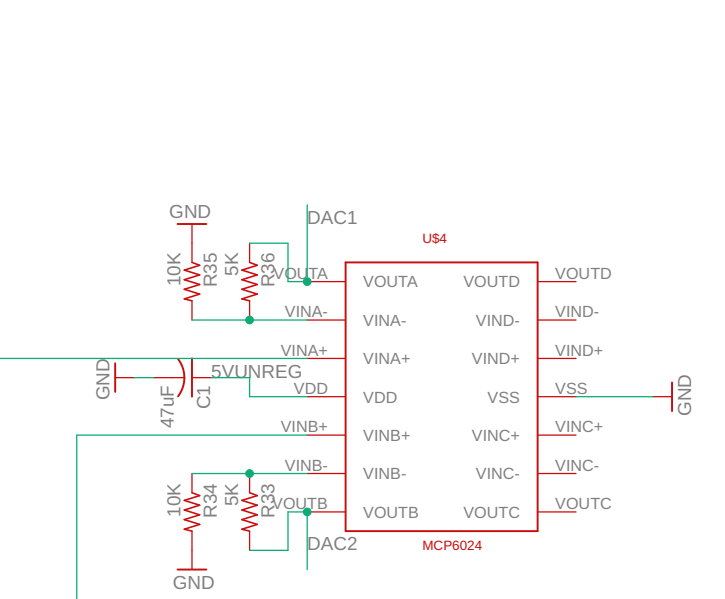


C12,7,19 change to 1uF

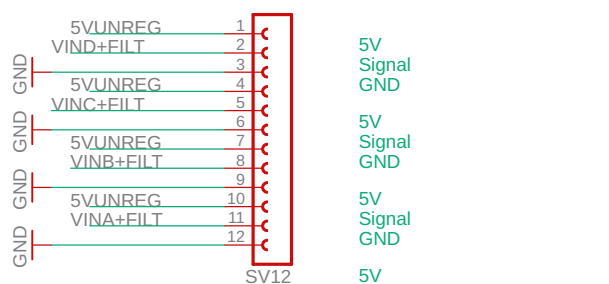
Redrawn, functionally equ



To Add:
tighter tolerance on diff amp resistors
Larger diodes easier to place
Convert empty pin headers to 5V
Move pot closer to edge of board



convert empty pins to 5V



swap to long pad and space properly .1"

